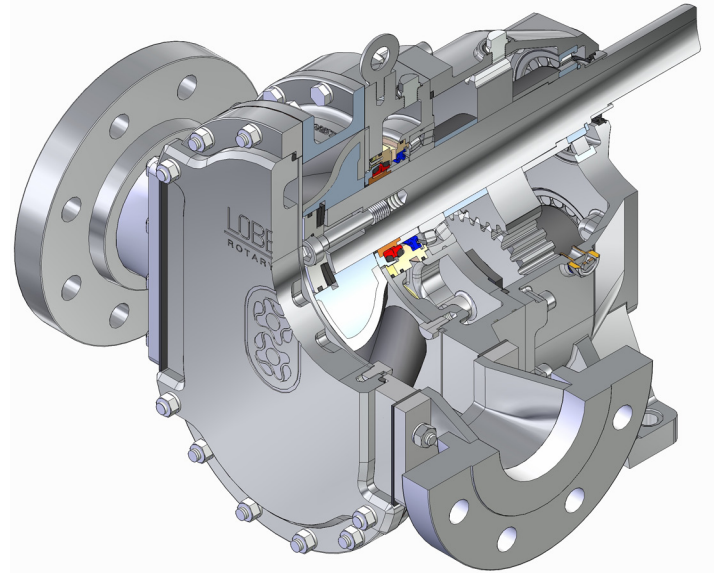


# Diagnostic Instruments

LobePro recommends that our customers have the following diagnostic instruments on hand to better evaluate and service our pumps.

- Hand held tachometer, non-contacting:
- Reflective tachometer tape
- Temperature Gun, Infrared
- Pressure Gauge, Liquid filled preferred, diaphragm seals preferred for long term instrument protection  
Select upper range based on your application, average pressure should be in center of gauge.
- Vacuum Gauge, Liquid filled preferred, diaphragm seals preferred for long term instrument protection, 1/2" NPT Lower Mount, -30 in Hg to 0 PSIG or Compound gauge, -30 in Hg to upper range for application.  
Average positive pressure should be in center of the gauge.
- Flow meter, magnetic, mount anywhere, flange mounted
- Digital Multimeter/Ammeter, Clamp on meter, etc.



LobePro does not offer these products for sale.  
Please use your normal tool vendor.



2610 Sidney Lanier Drive  
Brunswick, Georgia 31525  
1-888-997-PUMP Toll Free  
(912) 466-0304 Telephone  
(912) 466-0086 Fax  
[www.lobepro.com](http://www.lobepro.com)